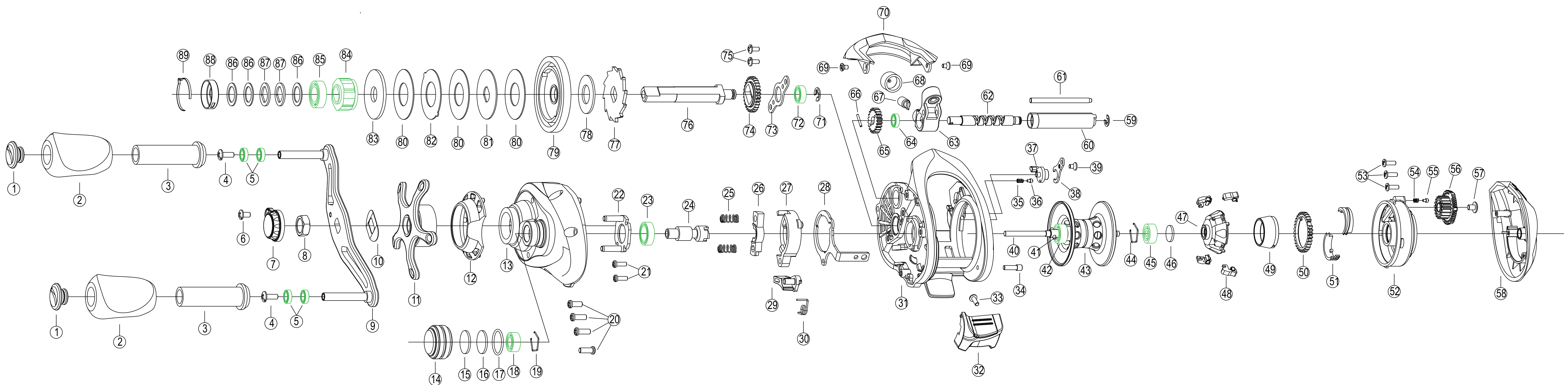


1	handle knob cap 捏手堵头	14	control cap 微调旋钮	27	cluth cam 离合凸轮	40	spool shaft 卷线轮轴	53	screw 螺丝	66	carrigage screw pin 排线轴销	79	driver gear 主齿轮
2	handle knob 捏手	15	cushion rubber 旋钮橡胶垫	28	cluth plate 离合拨动片	41	spool shaft pin 卷线轮轴销	54	spring 弹簧	67	return pawl 排线叉	80	brake washer 摩擦片
3	handle knob insert 捏手嵌件	16	brake washer 旋钮电木垫	29	kick lever 离合爪	42	ball bearing 轴承	55	sound pin 发声销	68	pawl cap 导线器螺母	81	drag washerA 刹车片A
4	screw 螺丝	17	o-ring O型圈	30	kick lever spring 离合爪扭簧	43	spool 卷线轮	56	brake control lever 刹车控制调钮	69	screw 螺丝	82	drag washerB 刹车片B
5	ball bearing 轴承	18	ball bearing 轴承	31	frame 支架	44	stoper holder 卷线盘盖挡簧	57	screw 螺丝	70	front cover 前盖	83	drag washerC 刹车片C
6	screw 螺丝	19	stoper holder 卷线盘盖挡簧	32	cluth lever 离合按键	45	ball bearing 轴承	58	left cover 左端盖	71	e-ring 主齿轮轴挡簧	84	one way ball bearing 单向轴承
7	handle nut cover 螺母护罩	20	screw 螺丝	33	screw 螺丝	46	spool cover washer 卷线盘盖垫片	59	e-ring 排线轴挡簧	72	ball bearing 轴承	85	ball bearing 轴承
8	handle screw 摇臂螺母	21	screw 螺丝	34	cluth lever pin 离合按键销	47	centrifugal seat 离心座	60	stabilizer bar 导线器支撑管	73	stoper holder 主齿轮轴固定板	86	washer 垫片
9	crank 摇臂	22	cluth seat 离合器座	35	spring 弹簧	48	centrifugal block 离心块	61	holder guide 导线器支撑轴	74	connect gear 传动齿轮	87	spring washer 弹性垫片
10	crank washer 摇臂垫片	23	ball bearing 轴承	36	sound pin 发声销	49	brake ring 刹车圈	62	carrigage screw 排线轴	75	screw 螺丝	88	click holder 发声碗
11	star handle 星形手柄	24	pinion gear 离合齿轮	37	key push lever 侧盖开关	50	adjust brake gear 刹车调整齿轮	63	line guide holder 导线器体	76	gear shaft 主齿轮轴	89	click spring 发声簧
12	right cover cover 右端盖装饰圈	25	spring 弹簧	38	key push lever plate 侧盖开关压板	51	lifting cam 升降凸轮	64	ball bearing 轴承	77	ratchet 逆止轮		
13	right cover 右端盖	26	cluth 离合器	39	screw 螺丝	52	spool cover 卷线盘盖	65	carrigage screw gear 排线轴齿轮	78	ratchet washer 逆止轮垫片		



1	handle knob cap 捏手堵头	14	control cap 微调旋钮	27	cluth cam 离合凸轮	40	spool shaft 卷线轮轴	53	screw 螺丝	66	carrigage screw pin 排线轴销	79	driver gear 主齿轮
2	handle knob 捏手	15	cushion rubber 旋钮橡胶垫	28	cluth plate 离合拨动片	41	spool shaft pin 卷线轮轴销	54	spring 弹簧	67	return pawl 排线叉	80	brake washer 摩擦片
3	handle knob insert 捏手嵌件	16	brake washer 旋钮电木垫	29	kick lever 离合爪	42	ball bearing 轴承	55	sound pin 发声销	68	pawl cap 导线器螺母	81	drag washerA 刹车片A
4	screw 螺丝	17	o-ring O型圈	30	kick lever spring 离合爪扭簧	43	spool 卷线轮	56	brake control lever 刹车控制调钮	69	screw 螺丝	82	drag washerB 刹车片B
5	ball bearing 轴承	18	ball bearing 轴承	31	frame 支架	44	stoper holder 卷线盘盖挡簧	57	screw 螺丝	70	front cover 前盖	83	drag washerC 刹车片C
6	screw 螺丝	19	stoper holder 卷线盘盖挡簧	32	cluth lever 离合按键	45	ball bearing 轴承	58	left cover 左端盖	71	e-ring 主齿轮轴挡簧	84	one way ball bearing 单向轴承
7	handle nut cover 螺母护罩	20	screw 螺丝	33	screw 螺丝	46	spool cover washer 卷线盘盖垫片	59	e-ring 排线轴挡簧	72	ball bearing 轴承	85	ball bearing 轴承
8	handle screw 摇臂螺母	21	screw 螺丝	34	cluth lever pin 离合按键销	47	centrifugal seat 离心座	60	stabilizer bar 导线器支撑管	73	stoper holder 主齿轮轴固定板	86	washer 垫片
9	crank 摇臂	22	cluth seat 离合器座	35	spring 弹簧	48	centrifugal block 离心块	61	holder guide 导线器支撑轴	74	connect gear 传动齿轮	87	spring washer 弹性垫片
10	crank washer 摇臂垫片	23	ball bearing 轴承	36	sound pin 发声销	49	brake ring 刹车圈	62	carrigage screw 排线轴	75	screw 螺丝	88	click holder 发声碗
11	star handle 星形手柄	24	pinion gear 离合齿轮	37	key push lever 侧盖开关	50	adjust brake gear 刹车调整齿轮	63	line guide holder 导线器体	76	gear shaft 主齿轮轴	89	click spring 发声簧
12	right cover cover 右端盖装饰圈	25	spring 弹簧	38	key push lever plate 侧盖开关压板	51	lifting cam 升降凸轮	64	ball bearing 轴承	77	ratchet 逆止轮		
13	right cover 右端盖	26	cluth 离合器	39	screw 螺丝	52	spool cover 卷线盘盖	65	carrigage screw gear 排线轴齿轮	78	ratchet washer 逆止轮垫片		